



Product name

2-jaw puller

For removing bearings, gears, discs, etc.

Art. No. 20-30

Series 20

EAN 4021176010163



	Technical attribute	Metric	Imperial
	Spread	65 - 350 mm	2 5/8 - 13 3/4 inch
	Depth	200 mm	7 7/8 inch
	Spread used internal	180 - 440 mm	7 1/8 - 17 3/8 inch
	Hexagon drive (male)	27 mm	
	Maximum load	8,5 t	9 US t
	Maximum torque	300 Nm	221 ft lb
	Number of jaws	2	2
	Weight	7.525 kg	
	Space below	20 mm	3/4 inch
	Space next to it	67 mm	2 5/8 inch



Technologies



SWITCH

A two-sided spindle tip provides optimal adjustment of the spindle to the shaft.



GLIDE & FIX

The improved geometry guarantees quick and easy movement of the jaws on the cross-beam.



ARMLOCK

The cross-legged jaws guarantee maximum stability for suspending the jaws in the slider.



Spare part

Art. No.	Product name
626300	Mechanical pressure spindle.
3-200-P	2 pulling jaws (pair)
20-30-T	2-jaw cross bar

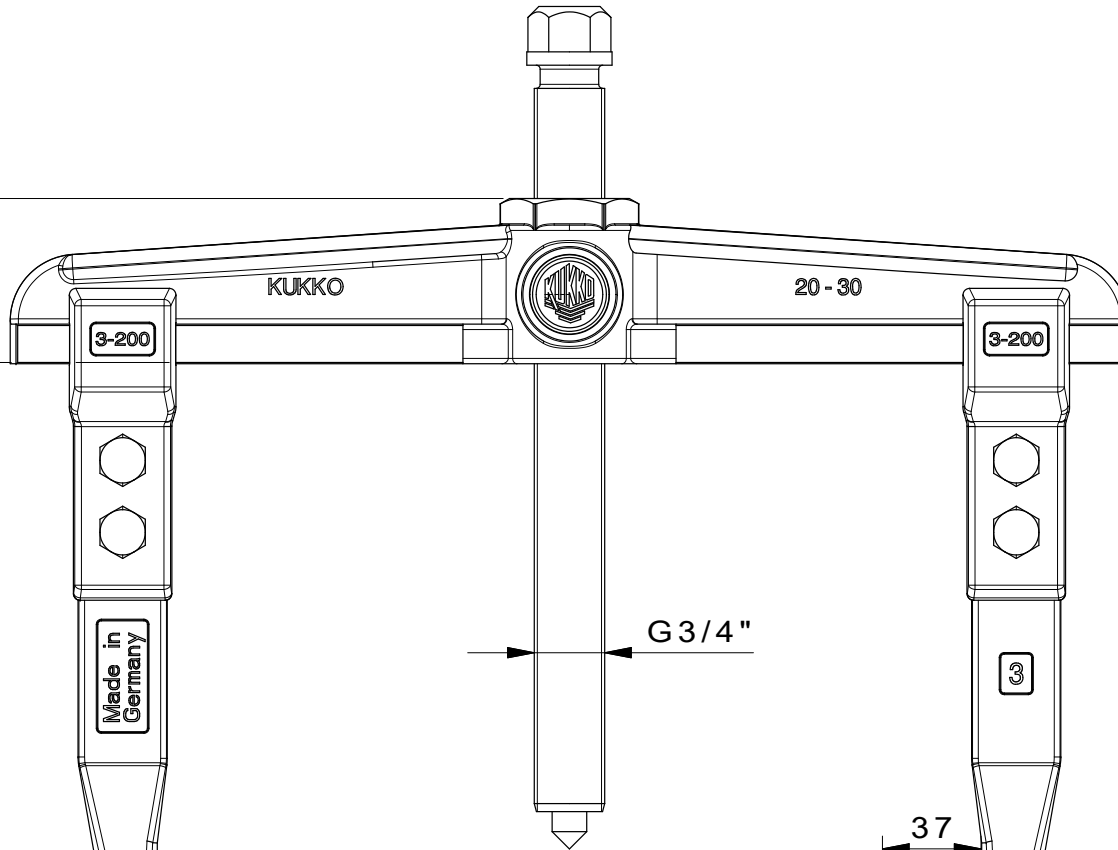
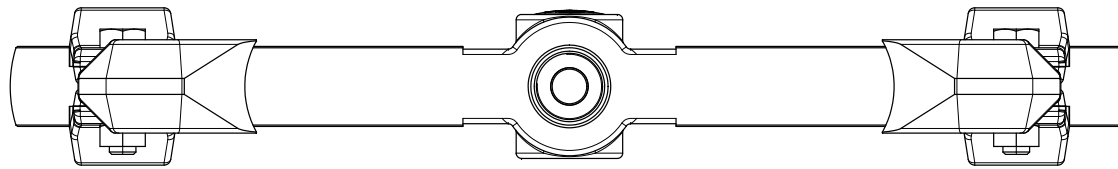
Accessories

Art. No.	Product name
8-02	Long hydraulic spindle
9-1	Auxiliary hydraulic ram
9-2	Auxiliary hydraulic ram
9-3	Auxiliary hydraulic ram
3-300-P	2 extended jaws (pair)
3-400-P	2 extended jaws (pair)
3-500-P	2 extended jaws (pair)
3-250-P	2 pulling jaws (pair)
30-30-T	Cross-beam
K-600-025	Set of interchangeable pressure pads for KUKKO pressure screws



Can be used alternatively with

Art. No.	Product name
3-201-P	2 narrow jaws (pair)
3-301-P	2 narrow jaws (pair)
3-401-P	2 narrow jaws (pair)
3-501-P	2 narrow jaws (pair)
3-202-P	2 quick adjusting jaws (pair)
3-302-P	2 quick adjusting jaws (pair)
3-402-P	2 quick adjusting jaws (pair)
3-502-P	2 quick adjusting jaws (pair)
3-203-P	2 narrow, quick adjusting jaws (pair)
3-303-P	2 narrow, quick adjusting jaws (pair)
3-403-P	2 narrow, quick adjusting jaws (pair)
3-503-P	2 narrow, quick adjusting jaws (pair)



288

210

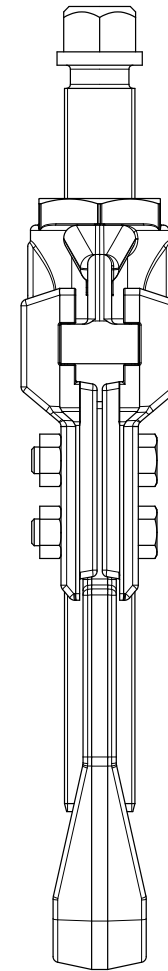
G 3/4"

37

4

SW 27

420



 Kleinbongartz & Kaiser oHG Werkzeugfabrik Hilden - Germany	Dokumentname: 20-30_2-Arm-Universal_Abzieher	Toleranz: DIN ISO 2768-m
	Dokumentbeschreibung: Baugruppe	Material: Hoch legierter Werkzeugstahl / High alloy tool steel
Erstellt / Geprüft von: Schultes	Zeichnungsdatum: 30/03/2015	Maßstab: 1:1
Teilbeschreibung: 2-Arm-Universal_Abzieher/ 2-jaw puller	Wärmebehandlung / Härte: vergüteter Stahl/ tempered steel	Oberflächenbehandlung:
Artikelnummer / ZNR: 20-30	Dokumentversion: -	Schutzvermerk: ISO 16046 beachten